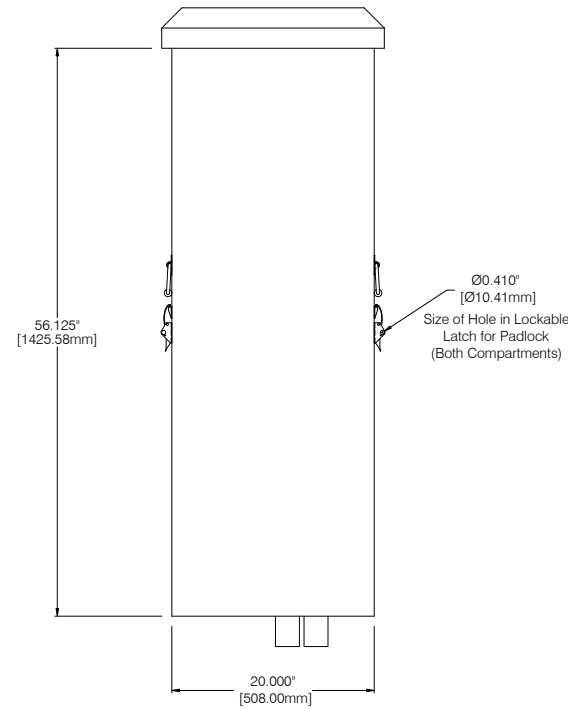
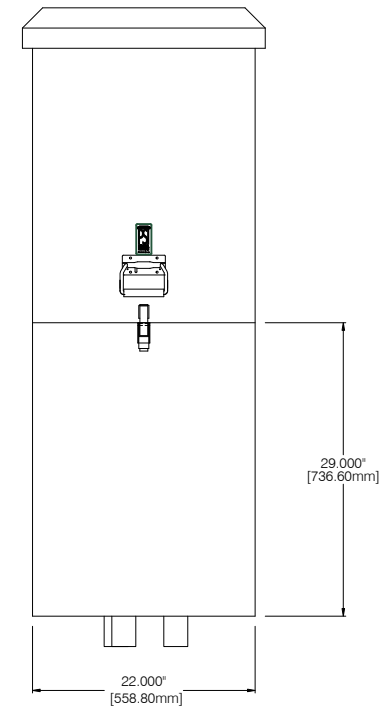


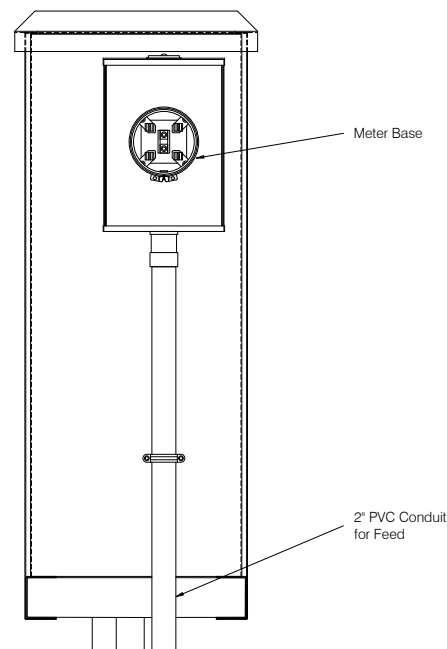
Meterbase Compartment
Exterior View
with Panels in place



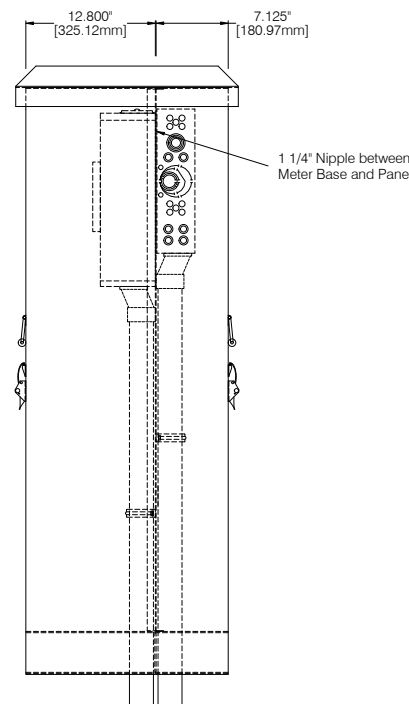
Exterior
Side View



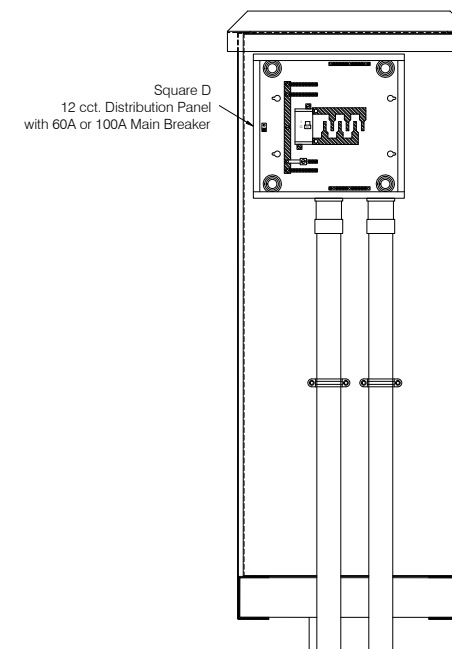
Distribution Panel Compartment
Exterior View
with Panels in place



Meterbase Compartment
Outside View
with Panel Removed



Side View



Distribution Panel Compartment
Outside View
with Panel Removed

Materials Notes:

Enclosure Matl-
14 gauge (.083") thick zinc coated (galvanized) sheet metal

Exterior Powdercoat Colour-
"Equipment Green", a dark forest green colour,
Protech PS211G58 powder coat

Backplate Matl-
Minimum 14 gauge (0.075") thick satin coated mild steel
sheet. Left in mill finish

Panel-
Square D cat# CQO112M60PC,
12cct., 2p, 3w Combination service entrance panel
OR
Square D cat# CQO112M100PC,
12cct., 2p, 3w Combination service entrance panel

Main Breaker-
Square D cat# QOM60VHL, 60amp 2pole
Wire range #12-2/0 Al/Cu, 22kA I.C. rating
OR
Square D cat# QOM100VHL, 100amp 2pole
Wire range #12-2/0 Al/Cu, 22kA I.C. rating

Load Breakers-
Square D cat# QO series
Single Pole- QO1xxx (xxx=Amperage)
Double Pole- QO2xxx (xxx=Amperage)
(see schematic drawing for more details)

Main Neutral Lug-
Wire range #4-250MCM Al/Cu

Load Neutral Lugs-
Wire Range 1 lug #4-2/0 Al/Cu
3 lugs #14-1/0 Al/Cu, 8 lugs #14-#6 Al/Cu

Fasteners-
4-Plated hex head bolts, 1/2"x13x2" Grade 2 or better
4-Plated 1/2" Flat washers
4-Plated 1/2" Lock washers
for mounting into concrete mounting base

Junction Box-
none

Contactors-
none

Photoeye-
none

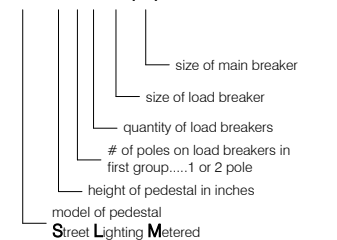
Override Switch-
none

Timer-
none

Meter Base- 120/240 VAC Single Phase, 200 amp
Microelectric cat# BS2-TCV to meet local Hydro Authority
Standards

Typical Part Number Explanation:

SLM60x-x-xx(xx)



PEDESTAL SOLUTIONS INC.
6552 Ravenshoe Road, Unit #6
Sutton West, Ont. L0E 1R0
Tel: (905) 715-2056
info@pedestalsolutions.com

TITLE: PEDESTAL SOLUTIONS INC.
60" STREET LIGHTING METERED
PEDESTAL VIEWS

DRAWN BY RAD	PART NO. SLM60-TYPICAL
-----------------	---------------------------

CHECKED BY BP	DWG NO. SLM60-TYPICAL
------------------	--------------------------

SCALE NONE	
---------------	--

	REVISION A
--	---------------

DATE APRIL 28, 2023	PAGE: 1 OF 1
------------------------	-----------------

SLM60 Metered Pedestal (Typical Layout)

Do not Modify or Reproduce
without PSI Written Consent