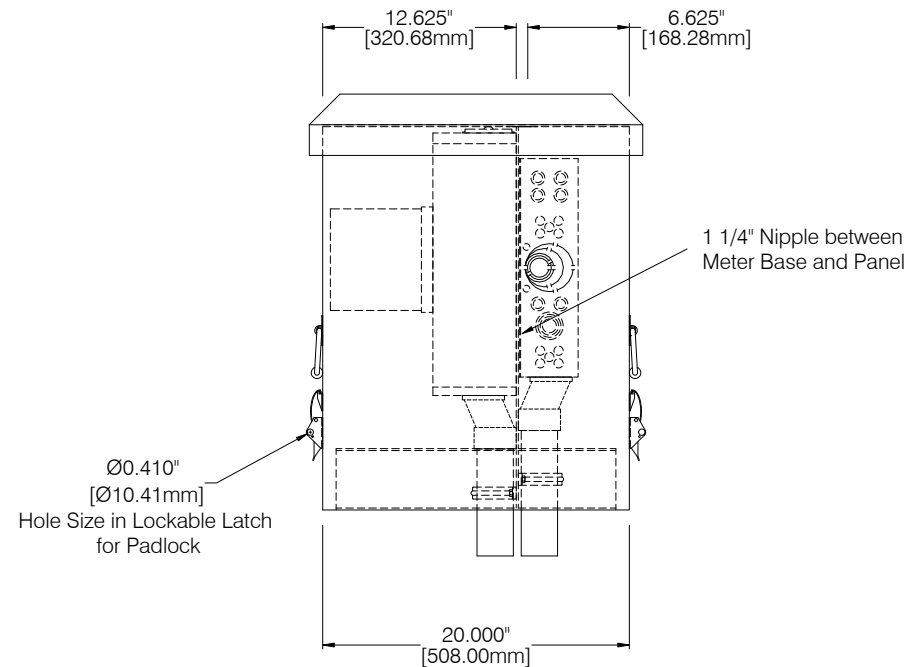
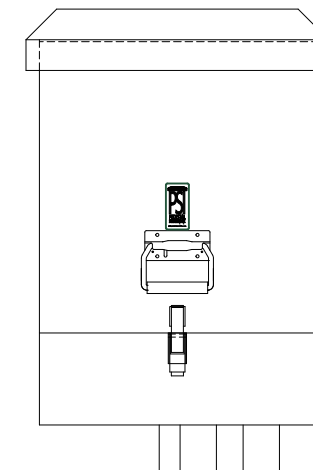


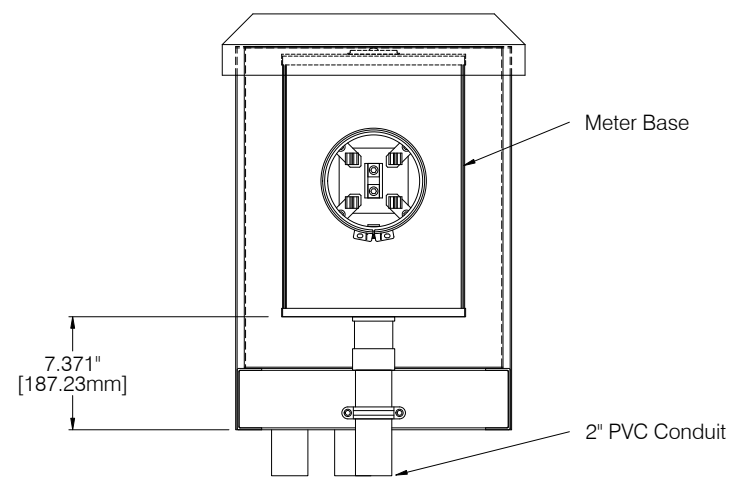
Meterbase Compartment
Outside View
with Panel in place



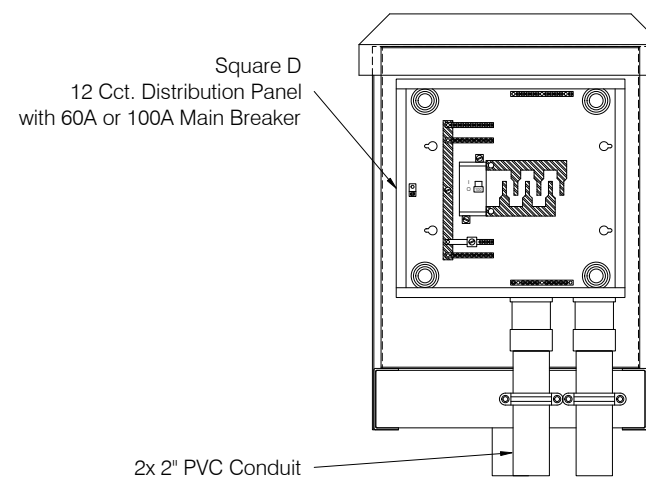
Side View



Distribution Panel Compartment
Outside View
with Panel in place



Meterbase Compartment
Outside View
with Front Panels
Removed



Distribution Panel Compartment
Outside View
with Front Panels Removed

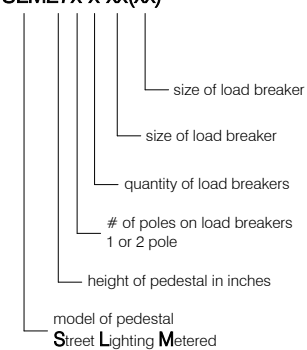
SLM27 Metered Pedestal (Typical layout)

Materials Notes:

- Enclosure Matl-
10 gauge (0.100") thick aluminum sheet metal
- Exterior Powdercoat Colour-
"Equipment Green", a dark forest green colour,
Protech PS211G58 powder coat
- Backplate Matl-
Minimum 14 gauge (0.075") thick satin coated mild steel
sheet. Left in mill finish
- Panel-
Square D cat# CQO112M60PC, 12cct., 2p, 3w
Combination service entrance panel
OR
Square D cat# CQO112M100PC, 12cct., 2p, 3w
Combination service entrance panel
- Main Breaker-
Square D cat# QOM60VHL, 60amp 2pole
Wire range #12-2/0 Al/Cu 22KA rating
OR
Square D cat# QOM100VHL, 100amp 2pole
Wire range #12-2/0 Al/Cu 22KA rating
- Load Breakers-
Square D cat# QO series
Single Pole- QO1xxx (xxx = Amperage)
Double Pole- QO2xxx (xxx = Amperage)
(see pedestal part number for breaker description)
- Main Neutral Lug-
Wire range #4-2/0 Al/Cu
- Load Neutral Lugs-
Wire Range 1 lug #4-2/0 Al/Cu
3 lugs #14-1/0 Al/Cu, 8 lugs #14-#6 Al/Cu
- Fasteners-
4-Plated hex head bolts, 1/2"x13x2" Grade 2 or better
4-Plated 1/2" Flat washers
4-Plated 1/2" Lock washers
for mounting into concrete mounting base
- Meter Base-
240/120VAC, 200 amp Microelectric cat# BS2-TCV to meet
local Hydro Standards

Part Number Explanation:

SLM27x-x-xx(xx)



PEDESTAL SOLUTIONS INC.
6552 Ravenshoe Road, Unit #6
Sutton West, Ont. L0E 1R0
Tel: (905) 715-2056
info@pedestalsolutions.com

TITLE: PEDESTAL SOLUTIONS INC.
27" STREET LIGHTING METERED
PEDESTAL VIEWS

DRAWN BY RAD	PART NO. SLM27 TYPICAL
CHECKED BY BP	DWG NO. SLM27 TYPICAL
SCALE NONE	
	REVISION C
DATE APRIL 28, 2023	PAGE: 1 OF 1

Do not Modify or Reproduce
without PSI Written Consent