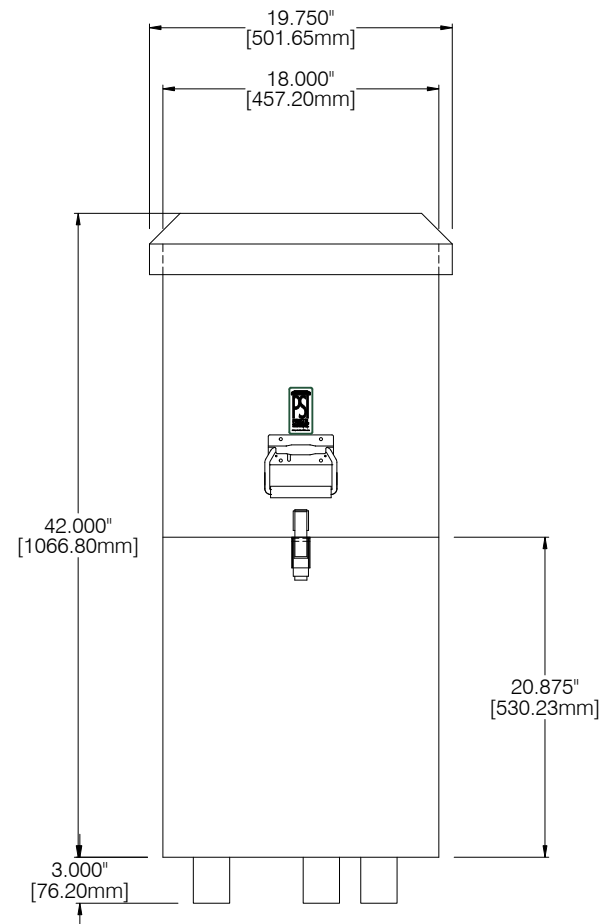


Side View

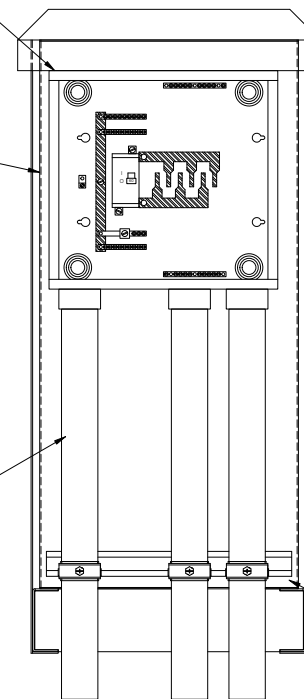


Front Outside View
with Front Panels in place

Square D
12 Cir. Distribution Panel
with 60A or 100A Main Breaker

Backplate

2" PVC Conduit
for Incoming feed



Front Outside View
with Upper and Lower Front Panels removed

Unistrut to fasten outgoing field
conduits

Materials Notes:

Enclosure Matl-
10 gauge (0.100") thick aluminum sheet metal

Exterior Powdercoat Colour-
"Equipment Green", a dark forest green colour,
Protech PS211G58 powder coat

Backplate Matl-
Minimum 16 gauge (0.063") thick satin coated mild steel
sheet. Left in mill finish

Distribution Panel:
Square D cat# CQO112M100PC, 12cct., 2p, 3w
Combination service entrance panel
OR
Square D cat# CQO112M60PC, 12cct., 2p, 3w
Combination service entrance panel

Main Breaker-
Square D cat# QOM100VHL, 100amp 2pole
Wire range #4-2/0 Al/Cu 22kA I.C. rating
OR
Square D cat# QOM60VHL, 60amp 2pole
Wire range #4-2/0 Al/Cu 22kA I.C. rating

Load Breakers-
Square D cat# QO series
Single Pole- QO1xxx (xxx=Amperage)
Double Pole- QO2xxx (xxx=Amperage)
(see pedestal part number for breaker description)

Main Neutral Lug-
Wire range #4-2/0 Al/Cu

Load Neutral Lugs-
Wire Range 1 lug #4-2/0 Al/Cu
3 lugs #14-1/0 Al/Cu, 8 lugs #14-#6 Al/Cu

Fasteners-
4-Plated hex head bolts, 1/2"x13x2" Grade 2 or better
4-Plated 1/2" Flat washers
4-Plated 1/2" Lock washers
for mounting into concrete mounting base

Contactor-
none

Timer Override Switch-
none

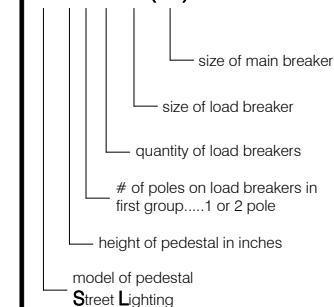
Timer-
none

Junction Box-
none

Meter Base-
none

Part Number Explanation:

SL42X-X-XX(XX)



PEDESTAL SOLUTIONS INC.
6552 Ravenshoe Road, Unit #6
Sutton West, Ont. L0E 1R0
Tel: (905) 715-2056
Email: info@pedestalsolutions.com

TITLE:
PEDESTAL SOLUTIONS INC.
42" STREET LIGHTING
PEDESTAL VIEWS

DRAWN BY RAD	PART NO. SL42 TYPICAL
CHECKED BY BP	DWG NO. SL42 TYPICAL
SCALE NONE	
	REVISION A
DATE APRIL 28, 2023	PAGE: 1 OF 1

SL42 Un-Metered Pedestal (Typical Layout)

*Do not Modify or Reproduce
without PSI Written Consent*