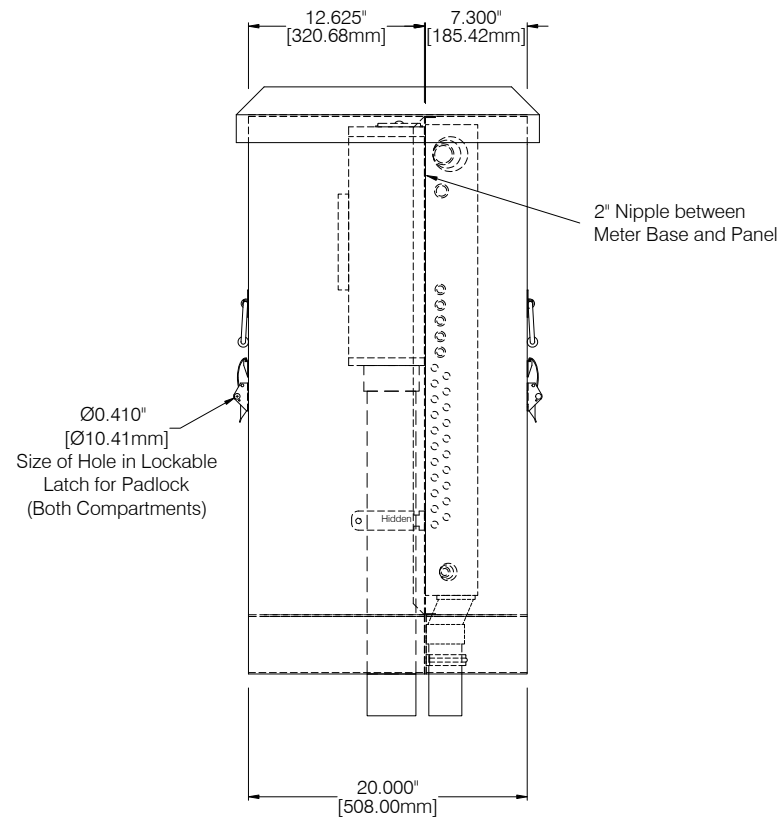
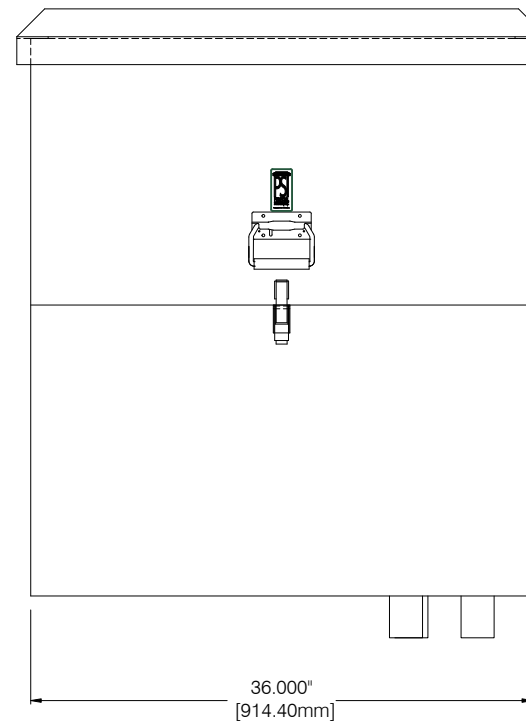


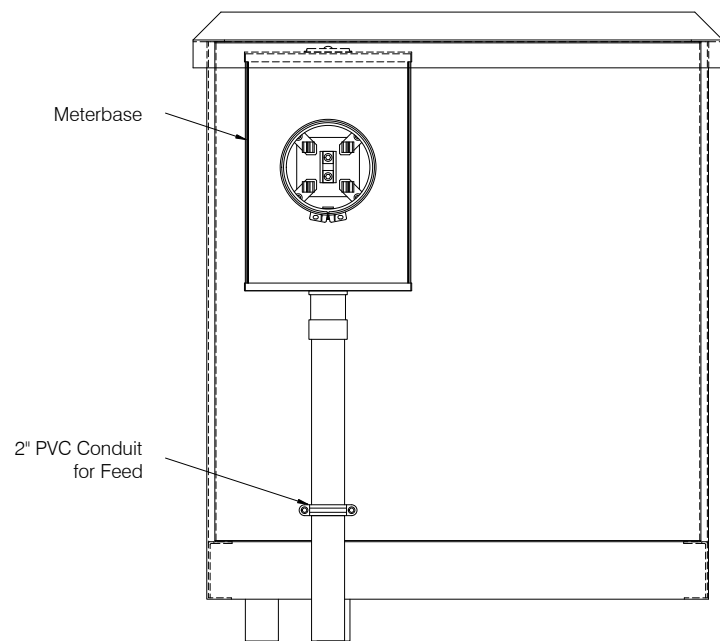
Meterbase Compartment
Outside View
with Panel in place



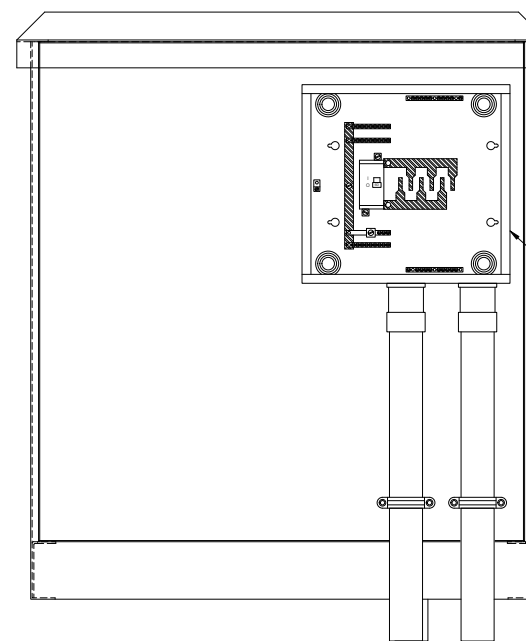
Side View



Distribution Panel Compartment
Outside View
with Panel in place



Meterbase Compartment
Outside View
with Panel Removed



Distribution Panel Compartment
Outside View
with Panel Removed

DWM42 Metered Pedestal (Typical Layout)

Materials Notes:

Enclosure Matl-
10 gauge (.100") thick aluminum sheet metal

Exterior Powdercoat Colour-
"Equipment Green", a dark forest green colour,
Protech PS211G58 powder coat

Backplate Matl-
Minimum 12 gauge (0.100") thick satin coated mild steel
sheet. Left in mill finish

Panel-
Square D cat# CQO112M60PC,
12cct., 2p, 3w Combination service entrance panel
OR
Square D cat# CQO112M100PC,
12cct., 2p, 3w Combination service entrance panel

Main Breaker-
Square D cat# QOM60VHL, 60amp 2pole
Wire range #12-2/0 Al/Cu, 22kA I.C. rating
OR
Square D cat# QOM100VHL, 100amp 2pole
Wire range #12-2/0 Al/Cu, 22kA I.C. rating

Load Breakers-
Square D cat# QO series
Single Pole- QO1xxx (xxx = Amperage)
Double Pole- QO2xxx (xxx = Amperage)
(see schematic drawing or part number for more details)

Main Neutral Lug-
Wire range #4-250MCM Al/Cu

Load Neutral Lugs-
Wire Range 1 lug #4-2/0 Al/Cu
3 lugs #14-1/0 Al/Cu, 8 lugs #14-#6 Al/Cu

Fasteners-
4-Plated hex head bolts, 1/2"x13x2" Grade 2 or better
4-Plated 1/2" Flat washers
4-Plated 1/2" Lock washers
for mounting into concrete mounting base

Contactors-
120VAC coil, 4 Normally Open Contacts, Each contact
rated for 32 Amp, Square D cat# LC1DT32G7

Junction Box-
none

Photocell-
none

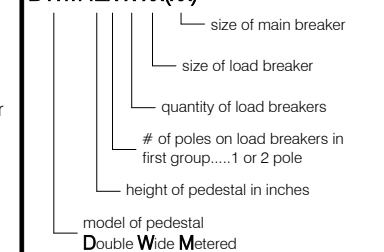
Timer-
none

Override Switch-
none

Meter Base- 240/120VAC, 200 amp, Microelectric
cat# BS2-TCV to meet Local Hydro Standards

Typical Part Number Explanation:

DWM42x-x-xx(xx)



PEDESTAL SOLUTIONS INC.
6552 Ravenshoe Road, Unit #6
Sutton West, Ont. L0E 1R0
Tel: (905) 715-2056
Email: info@pedestalsolutions.com

TITLE: PEDESTAL SOLUTIONS INC.
42" DOUBLE WIDE METERED
PEDESTAL VIEWS

DRAWN BY RAD	PART NO. DWM42
CHECKED BY BP	DWG NO. DWM42
SCALE NONE	
	REVISION A
DATE APRIL 28, 2023	PAGE: 1 OF 1

Do not Modify or Reproduce
without PSI Written Consent