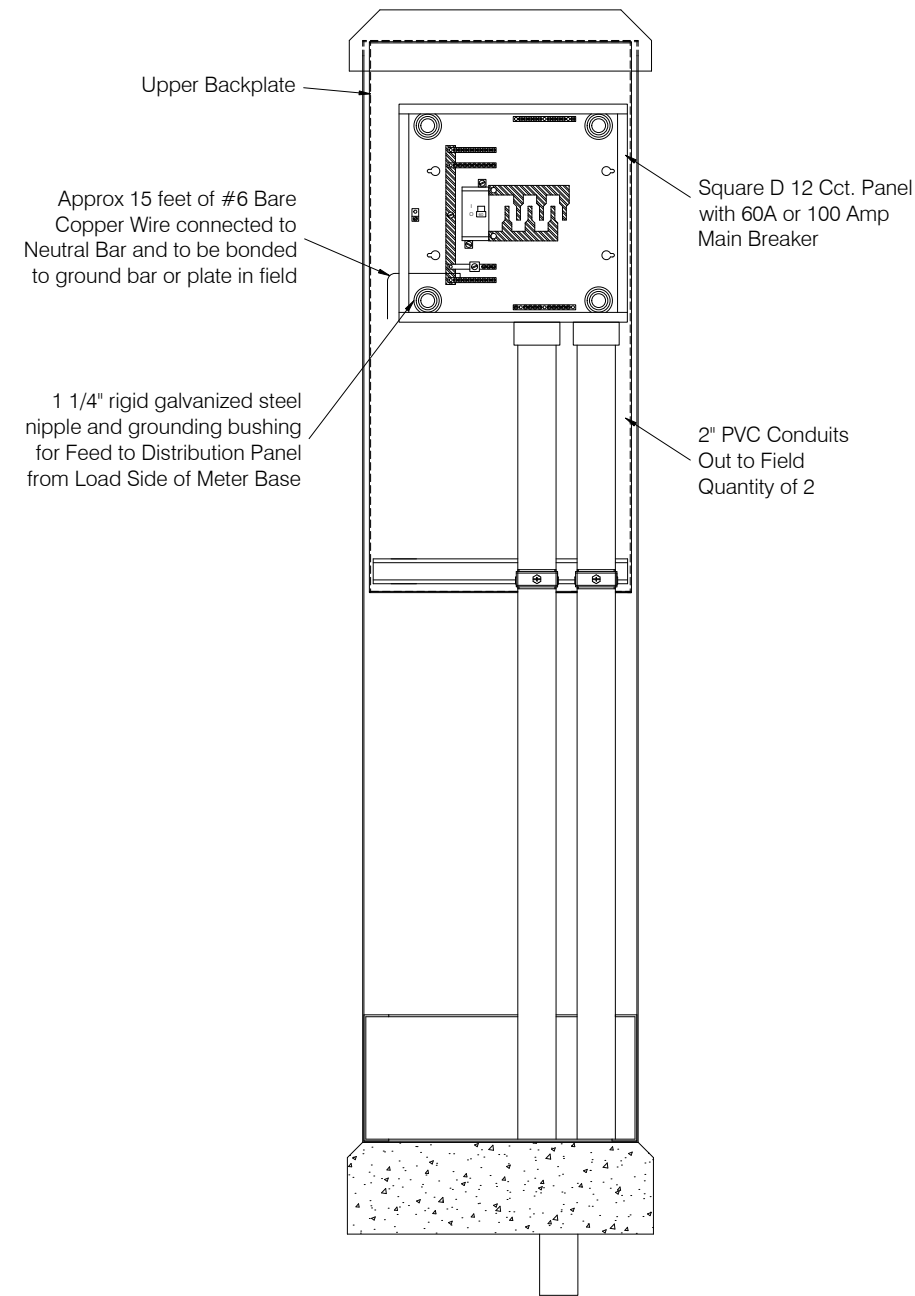
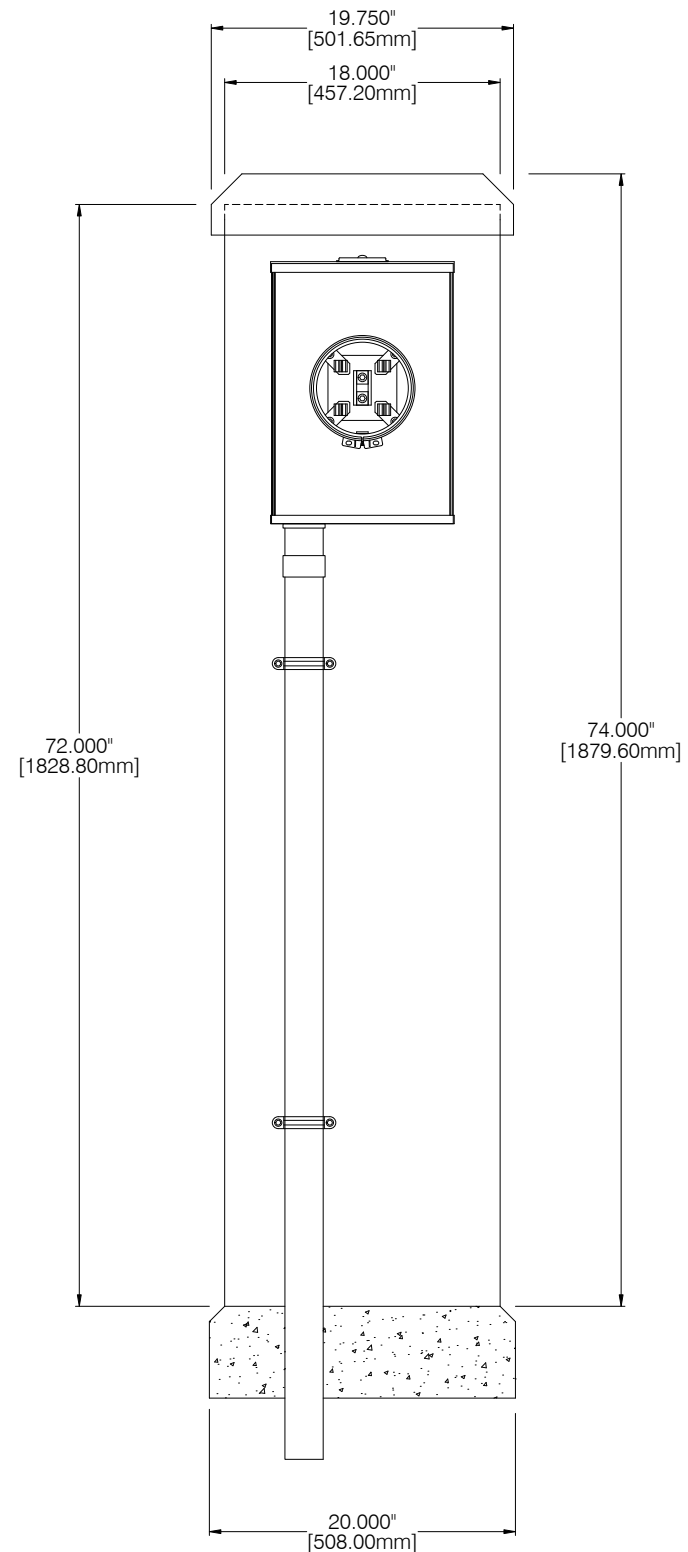


Side View
with Front Covers Installed



Front View
with Front Covers Removed



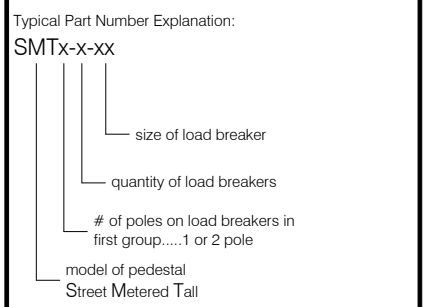
Rear View


SMT Pedestal with Meter Base and 12 Cct. Panel
(Typical Layout)

Model formally called "SLT" ...
same pedestal, name change only

Do not Modify or Reproduce
without PSI Written Consent

- Typical Materials Notes:
- Enclosure Matl- 10 gauge (.100") thick aluminum sheet metal
 - Exterior Powdercoat Colour- "Equipment Green", a dark forest green colour, Protech PS211G58 powder coat
 - Backplate Matl- Minimum 14 gauge (0.075") thick satin coated mild steel sheet. Left in mill finish
 - Panel- Square D cat# CQO112M60PC, 12cct., 2p, 3w Combination service entrance panel or Square D cat# CQO112M100PC, 12cct., 2p, 3w Combination service entrance panel
 - Main Breaker- Square D cat# QOM60VHL, 60amp 2pole Wire range #12-2/0 Al/Cu 22kA I.C. rating or Square D cat# QOM100VHL, 100amp 2pole Wire range #12-2/0 Al/Cu 22kA I.C. rating
 - Load Breakers- Square D cat# QO series Single Pole- QO1xxx (xxx = Amperage) Double Pole- QO2xxx (xxx = Amperage) (see pedestal part number or schematic drawing for breaker description)
 - Main Neutral Lug- Wire range #4-2/0 Al/Cu
 - Load Neutral Lugs- Wire Range 1 lug #4-2/0 Al/Cu 3 lugs #14-1/0 Al/Cu, 8 lugs #14-#6 Al/Cu
 - Fasteners- 4-Plated hex head bolts, 1/2"x13x2" Grade 2 or better 4-Plated 1/2" Flat washers 4-Plated 1/2" Lock washers for mounting into concrete mounting base
 - Contactor- none
 - Timer Override Switch- none
 - Timer- none
 - Junction Box- none
 - Meter Base- 240/120VAC, 200 amp Microelectric cat# BS2-TCV to meet local Hydro Standards



 PEDESTAL SOLUTIONS INC. 6552 Ravenshoe Road, Unit #6 Sutton West, Ont. L0E 1R0 Tel: (905) 715-2056 Email: info@pedestalsolutions.com	
TITLE: PEDESTAL SOLUTIONS INC. STREET METERED TALL PEDESTAL VIEWS	
DRAWN BY RAD	PART NO. SMT TYPICAL
CHECKED BY BP	DWG NO. SMT TYPICAL
SCALE NONE	
	REVISION C
DATE MARCH 06, 2023	PAGE: 1 OF 1