



# SL42 Manual

13.10.2021

[www.pedestalsolutions.com](http://www.pedestalsolutions.com)

**Pedestal Solutions**

## **Table of Contents**

- 1. Warranty and Return Policy**
- 2. Installation Guideline**
- 3. Operation Guideline**
  - a. Upper Door Removal
  - b. Lower Door Removal
  - c. Operating the Load Center
- 4. Maintenance Guidelines**
- 5. Schematic Drawing**
- 6. Unit Drawing**
- 7. Catalog Number Explanation**
- 8. Identification Tag Break Down**
- 9. Parts List**
- 10. Notes**

## Warranty and Return Policy

### Warranty;

At Pedestal Solutions Inc, we provide a quality electrical enclosure, designed to endure our harsh outdoor climate. The hot summers and the cold, salty winters. Our standard pedestals are constructed with 5052-H32 aluminum. Then, they are powder coated using a high quality, electrostatic, polymer powder coating.

We guarantee that our pedestals will be free of defects in workmanship and materials for a period of 5 years.

This warranty does not cover any damage, accidental or willful, that has occurred during or after installation.

Pedestal Solutions liability under this warranty is limited to repairing, replacing or issuing a credit in the amount of the unit contract price, at its election, for any such claim. Any repair or replacement shall not extend the warranty period.

Discoloration of Pedestal Solutions manufactured products from metal oxidation and/or severe/normal environmental atmospheric conditions due to exposure over a period of time is normal/anticipated and is not covered by this warranty

### Return Policy;

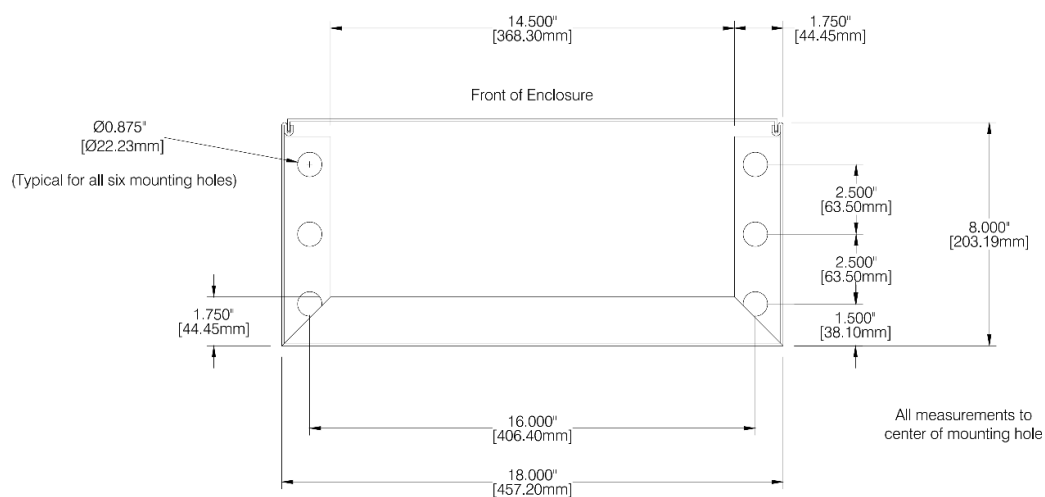
No returns will be accepted without prior written authorization by Pedestal Solutions. A Return Merchandise Authorization Number, issued by Pedestal Solutions, must accompany all returns, and all unauthorized returns will be refused. The return shipment is to be freight prepaid by the Buyer, and under no circumstances shall the buyer deduct the value of the returned merchandise from any remittance due.

An RMA (return merchandise authorization) number must be obtained prior to returning any product. All returns are subject to manufacturer approval upon receipt and inspection and require that the returning party pay freight.

## Installation Guideline

### All personnel working on any PSI units must be qualified and knowledgeable.

1. Unpack the box and lay the unit out on top of the box in front of the mounting location.
2. Open up the unit, pull out the mounting hardware supplied inside.
3. Make all required electrical connections to the unit.
4. Stand the unit up, and position it over the threaded inserts on the mounting surface.
5. Use the supplied hardware, mentioned below, to complete the mounting process;
  - a. 4ea - ½" Flat Washers
  - b. 4ea - ½" Lock Washers
  - c. 4ea - ½" Hex Head Bolts
6. Place the lock washer, then flat washer over the Hex head bolt, and thread the bolt into the threaded insert on the mounting surface.
7. Complete this process for all four threaded inserts.
8. Center the unit over the mounting surface.
9. Tight down the bolts.
10. If required, call the local Power Authority to inspect the final electrical connections made into the unit, and sign off on the installation.
11. Close up the unit, and install padlocks if requested by the end user.



## **Operation Guideline**

**Only a qualified and knowledgeable individual can operate this unit.**

### Upper Door Removal

1. Unlock the unit if required.
2. Lift up on the draw latch, attached to the upper door.
3. Disconnect the latch from the Hasp catch on the lower door.
4. Lift up on the upper door using the lifting handle and pull the door out horizontally removing it from the enclosure.

### Lower Door Removal

1. The upper door has to be removed to take off the lower door.
2. Once the upper door has been removed, loosen the 7/16 bolts holding the lower door in place. (If spring pins have been supplied, pull on the supplied key ring)
3. This will free the top portion of the lower door from the unit.
4. Lift up to remove the lower door from the unit.

### Operating the Load Centre

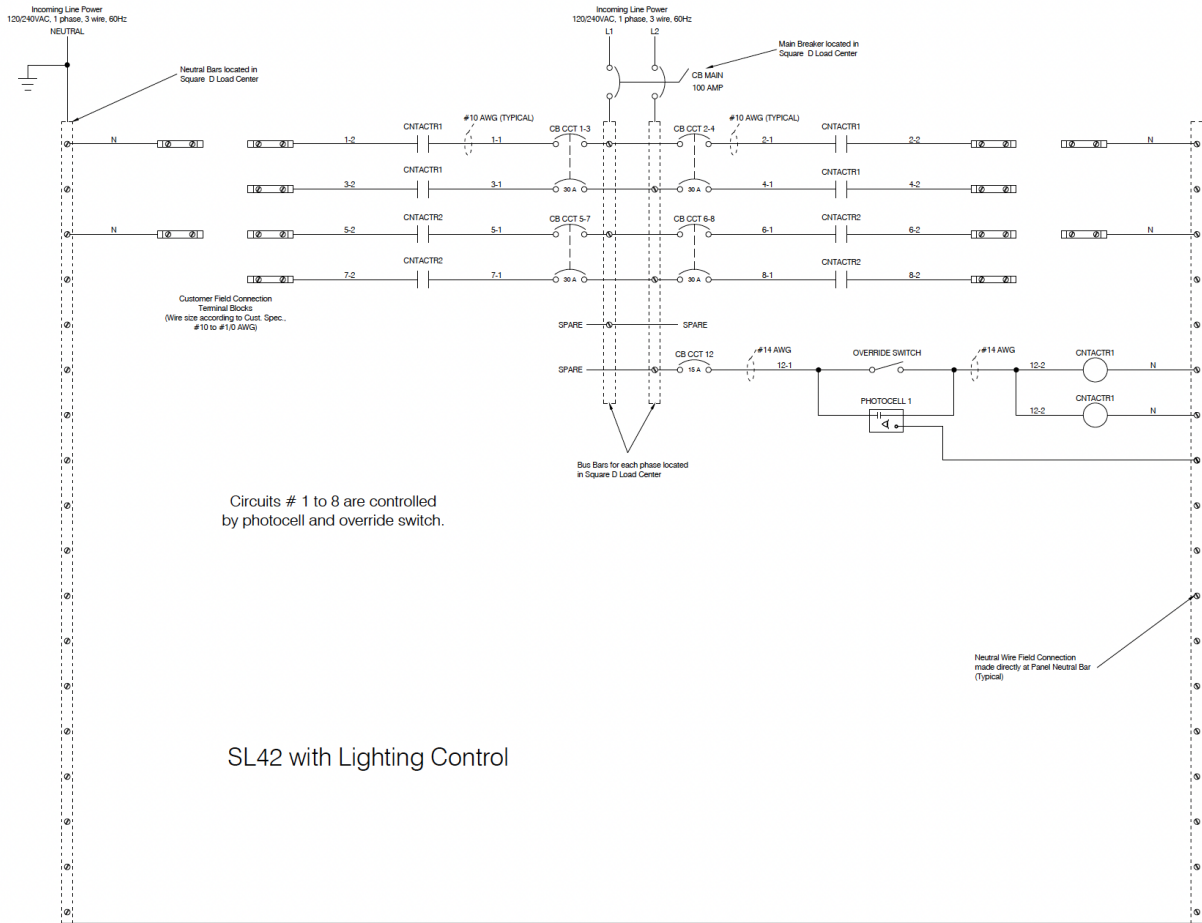
1. If the load centre requires service please use [this](#) instructions manual to operate the supplied load centre.

**These units require no regular maintenance.**

## Maintenance Guideline

1. Check the unit to make sure it is free from any obstructions or contaminants (I.E. metal debris, broken zac-toe blades ect.) coming into contact with the unit.
2. Follow the instructions in the "Operations Guideline" to Open the door(s), and ensure the lock and hasp is working properly.
3. Once the unit is open, clear out any spider webs, or unwanted organic accumulation occurring in the unit.
4. Check that the mounting hardware is undamaged, tight and in place.
5. Check the top of the unit to ensure it still has good ventilation on both sides of the lid. Make sure nothing is obstructing the lid under the overhang.
6. Close up the unit. Installing the upper and lower door(s).
7. Make sure the lock and hasp has closed correctly
8. Re-install the padlock if required by the owner.

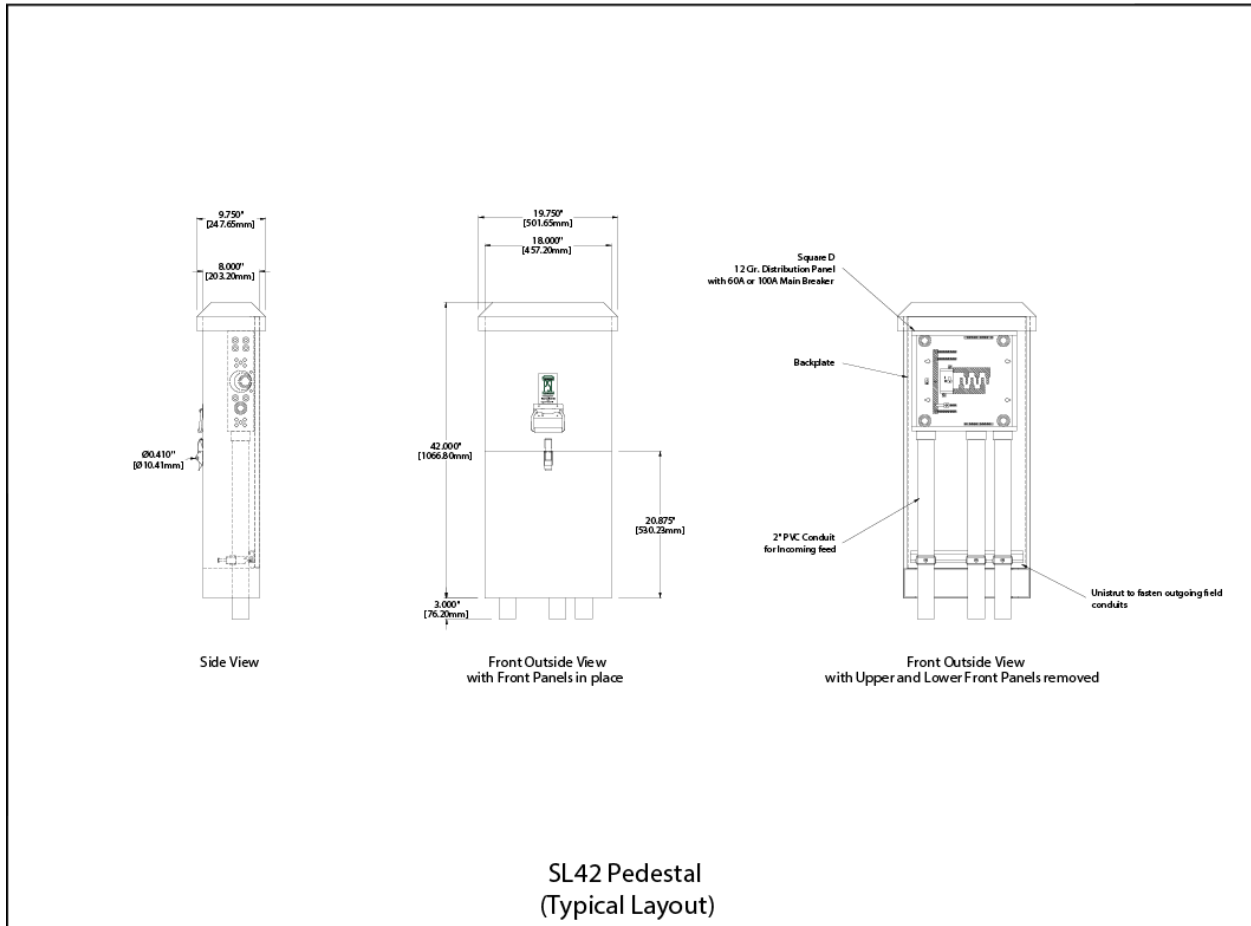
# Schematic diagram



Circuits # 1 to 8 are controlled by photocell and override switch.

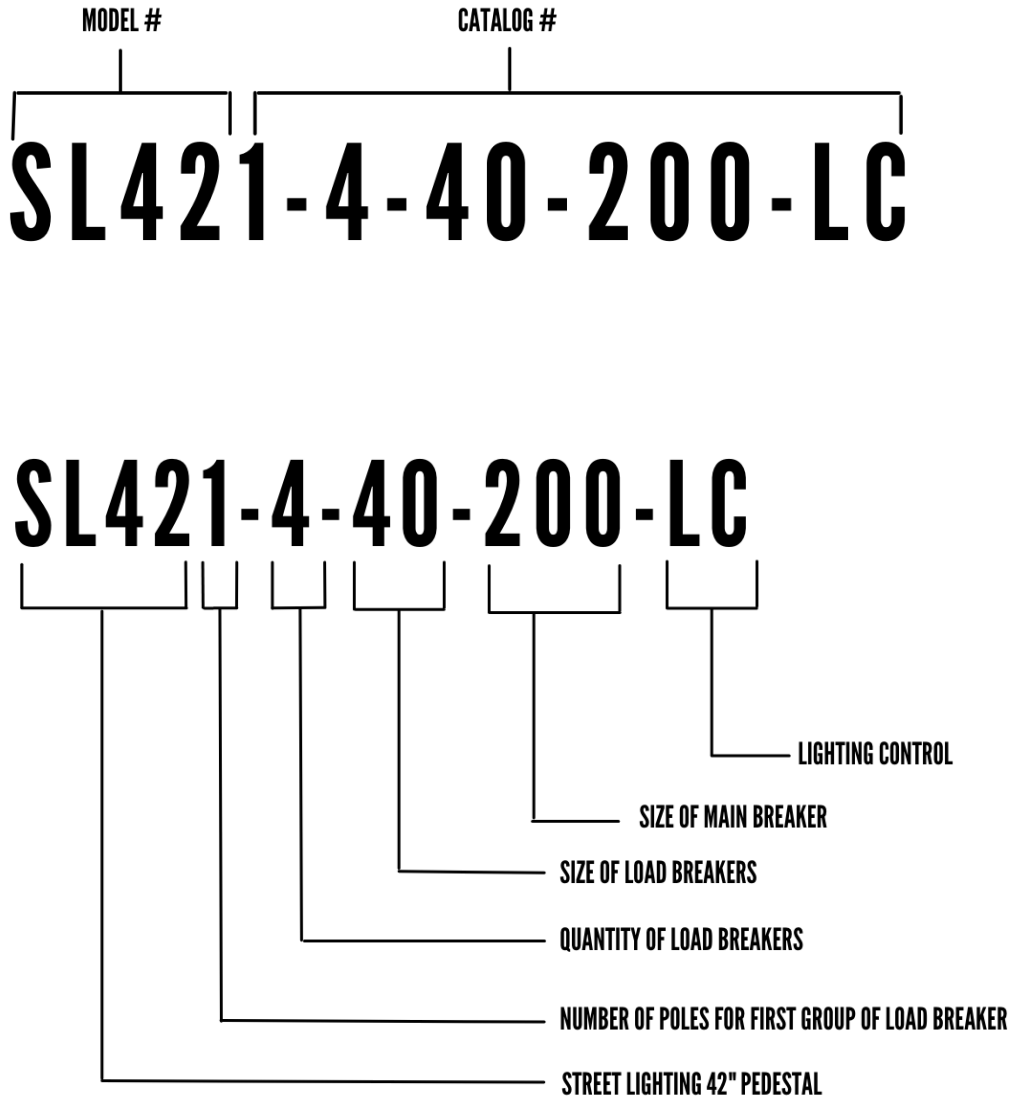
SL42 with Lighting Control

## Unit Drawing

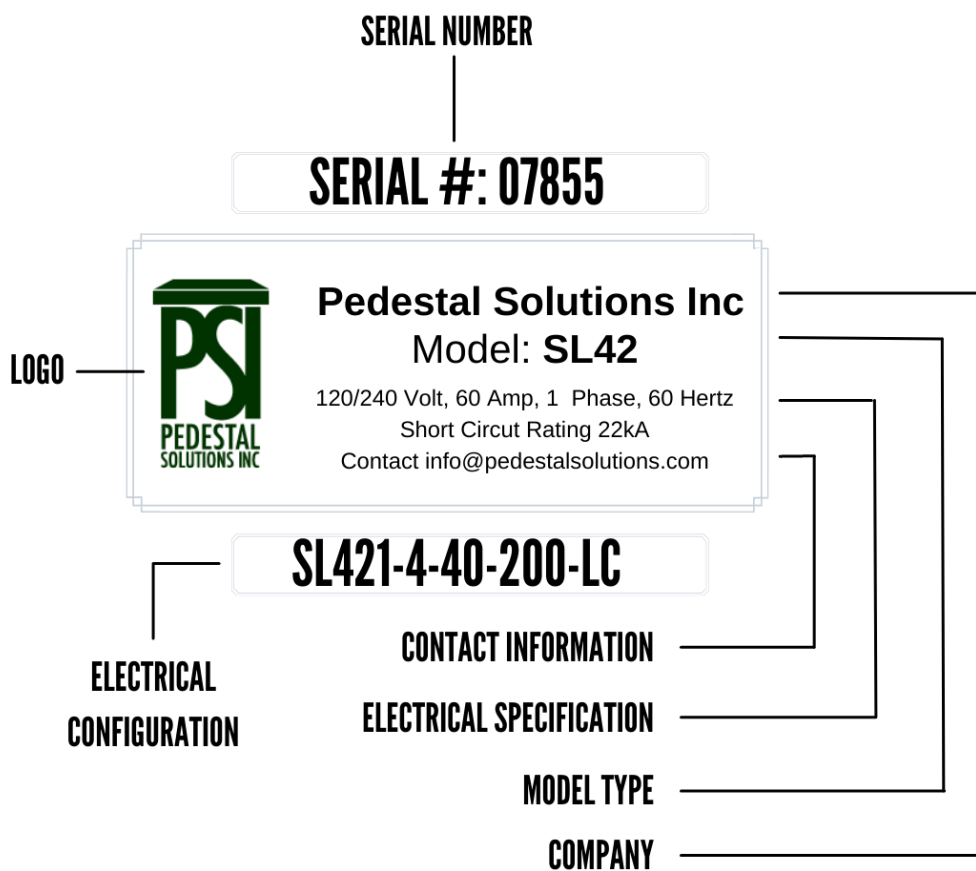




## Catalog Number Explanation



## Identification Tag Break Down



## Field Wiring Terminals

All field wiring terminals will be provided with markings for the correct conductors to use for in field connections. Please note that all electrical connections and installations are to be made **as per the Canadian Electrical Code**.

Below is a list of the minimum conductors allowed;

Junction Box Terminal Connections Conductor Information:

Terminal Model	Min Wire Size	Min Wire Temp	Min Wire Material
WKN10	16 AWG	60°C (140°F)	Copper
WKN16	14 AWG	60°C (140°F)	Copper
WKN35	12 AWG	60°C (140°F)	Copper
WKN70	6 AWG	60°C (140°F)	Copper

**This chart above will be labeled to the inside door of every junction box.** Letting the installer know the minimum conductor requirements for in field wiring connections to terminals. And indicating to always complete all connections and installations **as per the Canadian Electrical Code**.

## Junction Box ID Tag Sample

All Junction Boxes will have their Grounding location identified with the Ground Symbol;



Below is an example of the label found on the front door of every Junction Box;

**\*\*\*WARNING\*\*\***

**Disconnect Power Before Working In Enclosure**

**\*\*\*ATTENTION\*\*\***

**Débrancher l'électricité avant de travailler dans  
ce lieu clos**

**120/240 Volts AC  
Max Current 200 AMP  
60 Hertz**

## Parts List

A list of all the standard components found in each SL42.

<b>1</b>	<b><u>Panel</u></b>		
	Square D cat# CQO112M100PC, 12cct., 2p, 3w Combination service entrance panel		
<b>2</b>	<b><u>Main Breaker</u></b>		
	Square D cat# QOM100VHL, 100amp 2pole		
	Wire range #4-2/0 Al/Cu, 22kA I.C. rating		
<b>3</b>	<b><u>Load Breakers</u></b>		
	Square D cat# QO series	Single Pole- QO1xxx (xxx=Amperage)	
		Double Pole- QO2xxx (xxx=Amperage)	
<b>4</b>	<b><u>Main Neutral Lug</u></b>		
	Wire range #4-2/0 Al/Cu		
<b>5</b>	<b><u>Load Neutral Lugs</u></b>	Wire Range 1 lug #4-2/0 Al/Cu	
		3 lugs #14-1/0 Al/Cu, 8 lugs #14-#6 Al/Cu	
<b>6</b>	<b><u>Meter Base</u></b>		
	None		
<b>7</b>	<b><u>Fasteners</u></b>	4-Plated hex head bolts, 1/2"x13x2" Grade 2 or better	
		4-Plated 1/2" Flat washers	
		4-Plated 1/2" Lock washers	

## Notes

Any other important information. And a section to allow the user to enter in their own notes if required.



