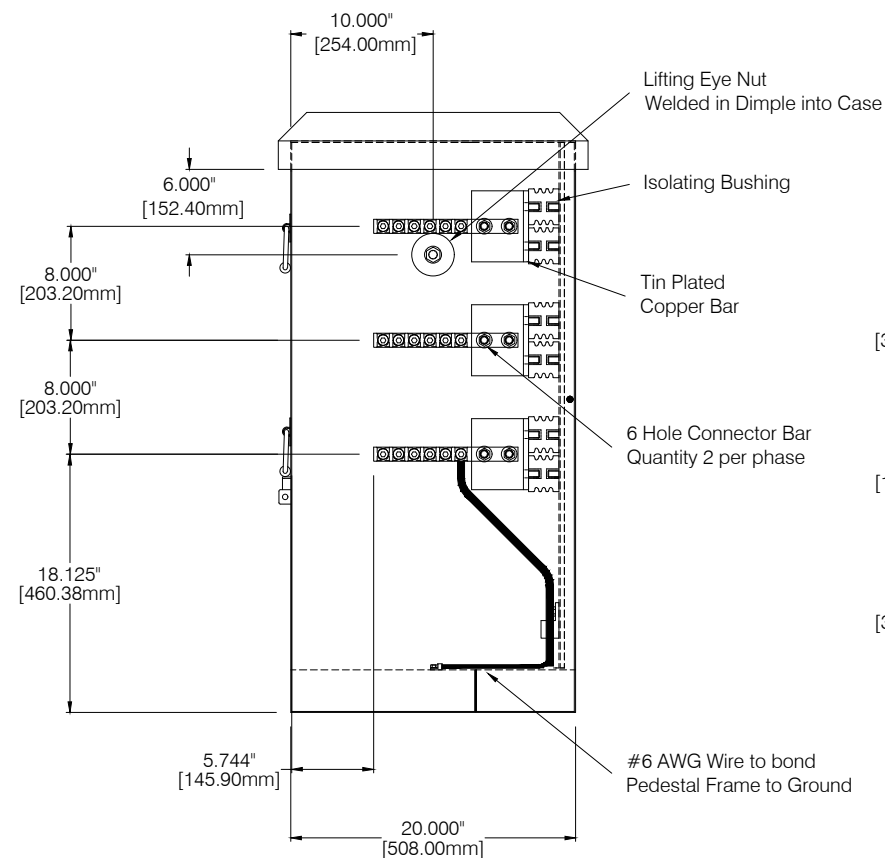
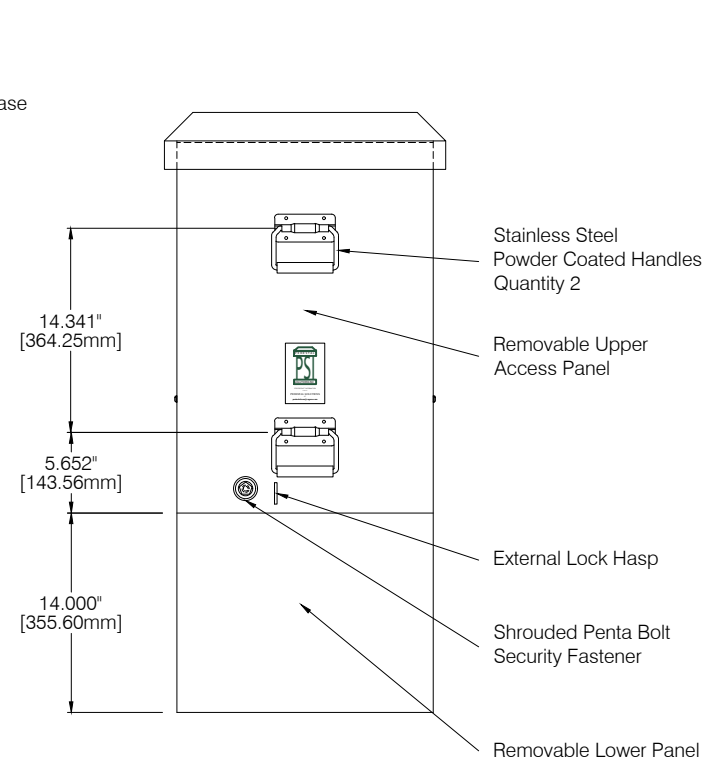


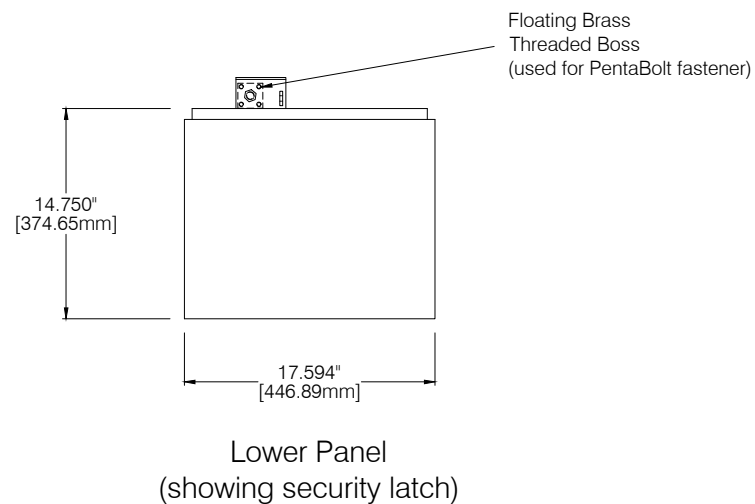
Rear View
Spare Compartment Outside
with Panel in place



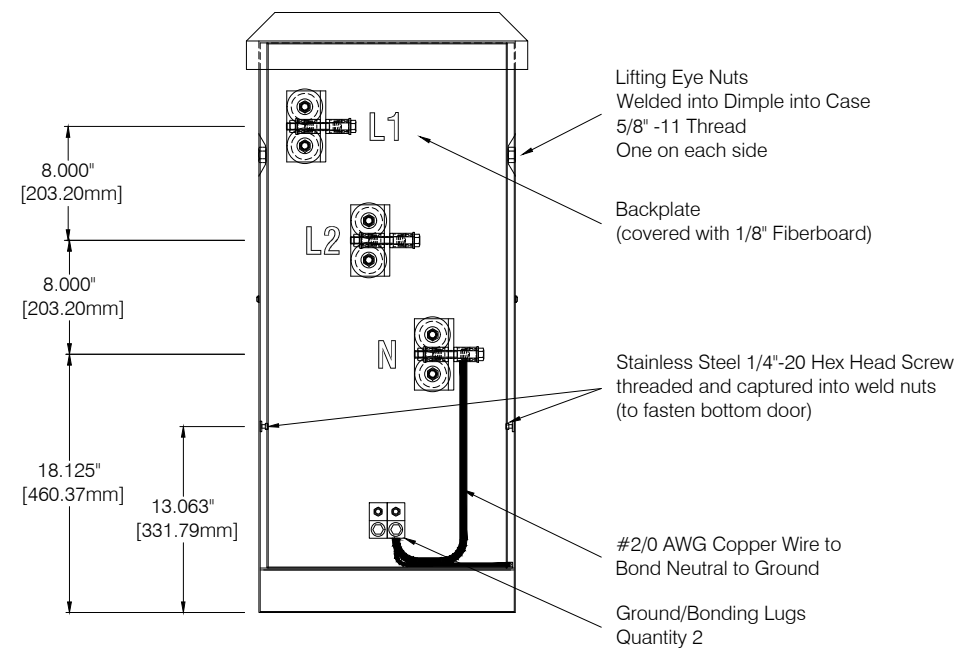
Side View



Front View
of Connection Compartment
with Panel in place



Lower Panel
(showing security latch)



Front View
of Connection Compartment
with Lower Panel Removed

Materials Notes:

Enclosure Matl-
10 gauge (0.100") thick aluminum sheet metal

Paint Colour-
"Equipment Green", a dark forest green colour,
Protech PS211G58 powder coat

Fasteners-
Plated hex head bolts, 1/2"x13x2" Grade 2 or better
Plated 1/2" Flat washers
Plated 1/2" Lock washers
for mounting into concrete mounting base

Connector Bars-
Ilscos PET 500, 6 Hole Connector,
#2 AWG to #500MCM, AL/CU conductors
Quantity 2 per phase and Neutral

Isolating Bushing-
Polycast P1IX0, Part # 105-703-41
1.2kV/30kV BIL, ANSI C29.1

Large Ground Lugs-
Ilscos TA-250
#6 AWG to 250 MCM, AL/CU Conductors
Quantity 2

Small Bonding Lug-
CMC AB-70
#14 AWG to #2AWG, AL/CU Conductors

Low Voltage Termination Cabinet for Hydro One

PEDESTAL SOLUTIONS INC.
6552 Ravenshoe Road, Unit #6
Sutton West, Ont. L0E 1R0
Tel: (905) 715-2056
info@pedestalsolutions.com

TITLE:
PEDESTAL SOLUTIONS INC.
LOW VOLTAGE TERMINATION CABINET
PEDESTAL VIEWS

DRAWN BY: RAD PART NO.: LVTC42-1P-3W-HO

CHECKED BY: BP DWG NO.: LVTC42-1P-3W-HO

SCALE: NONE

REVISION: F

DATE: APRIL 16, 2020 PAGE: 1 OF 2