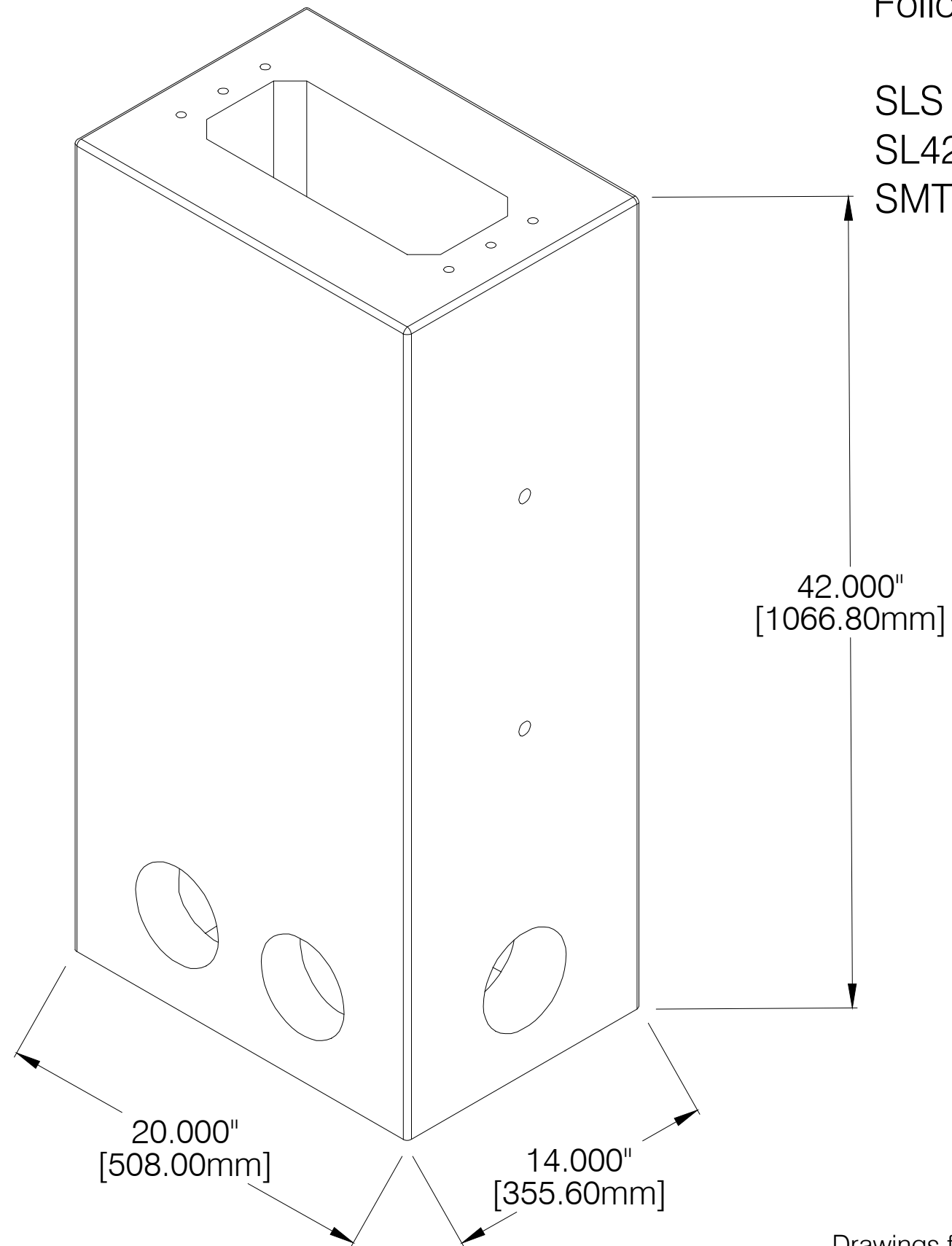


This Base is Used by the  
Following Pedestal Styles ...

SLS  
SL42  
SMT



Drawings for Information Only  
For More Detailed Drawings,  
Please Contact the Pre Cast Concrete Manufacturer